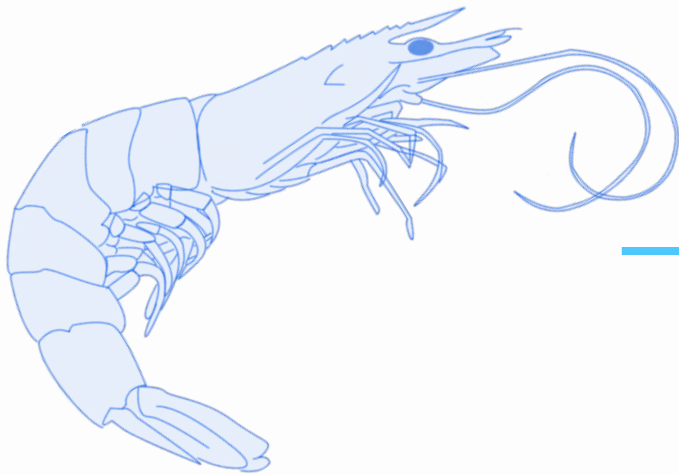


seable

Sustainable Shrimp Solutions



# Shrimp Hatcheries



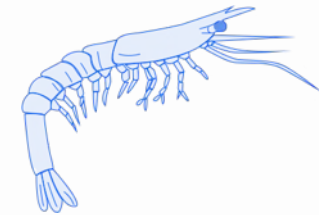
**Broodstock**



**Egg**



**4500x**  
in 20 days



**Post-larvae  
(PLs)**

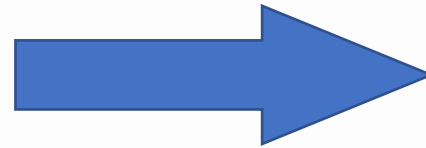


# Importance of Early Feeding

Survival & Growth

Organ development

Innate immunity



Future growth &  
disease resistance

## **IMPROPER FEEDING**

**Bad water quality**  
**Increased bacterial load**  
**Increased bacterial load**  
**Lower SR = High cost**

## **PROPER FEEDING**

**Increase feed efficiency**  
**Reduce uneaten feed :**  
**Reduce bacterial load**  
**Reduce disease (protozoa)**

**Nutrition is good - if delivered properly**

# Mark of Quality

Not enough  
feed

Not enough  
frequency

**UNEVEN PL SIZE**

Unequal access to feed



Uneven PLs

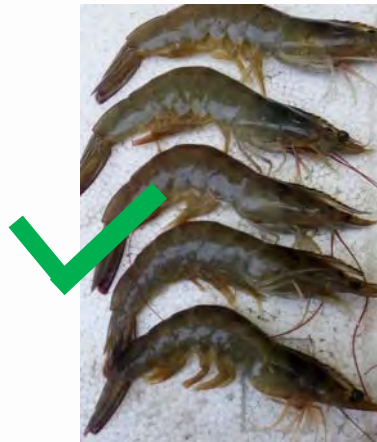


Uneven shrimp

- Low survival rate
- Low average weight (higher count)
- Lower income



Even PLs



Even shrimp

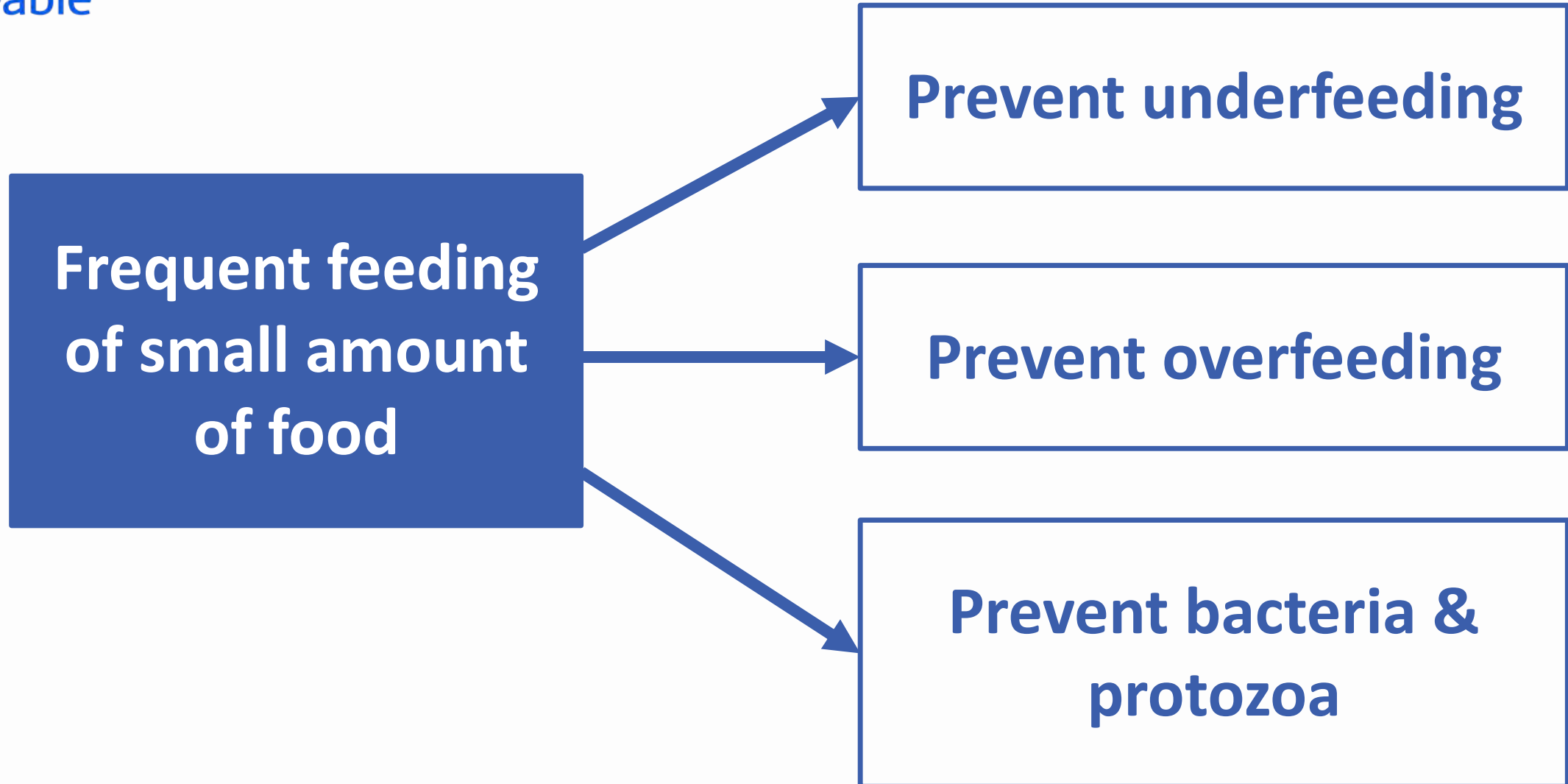
- Higher survival rate
- Higher average weight (higher count)
- Higher income



# Solution

**Feed Frequently, Precisely**





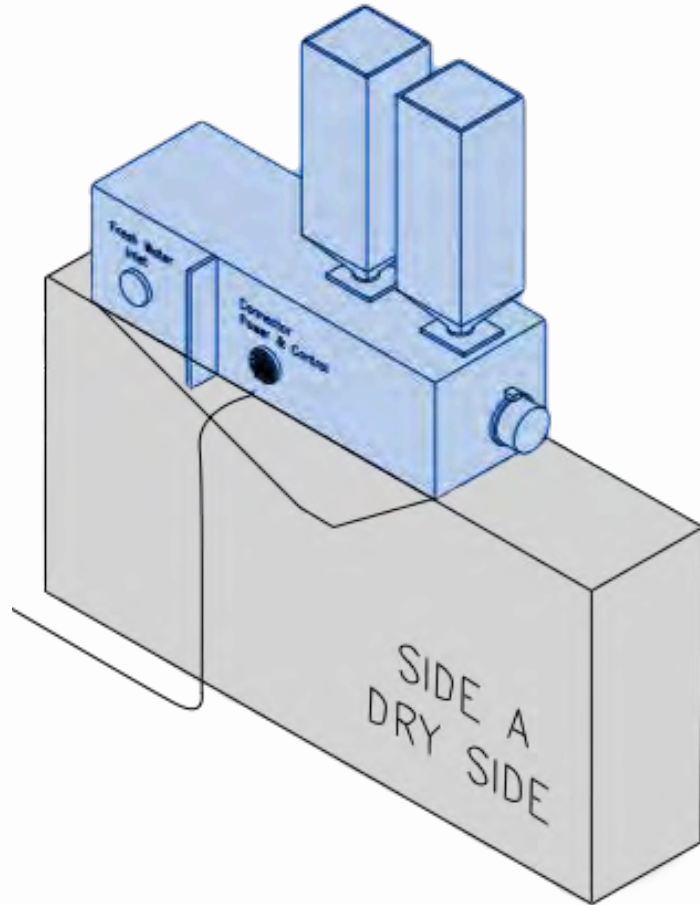
# Why Another Feeder?



- Feed particle : fine powder
- Variable size : (10  $\mu\text{m}$  – 1 mm)
- Smaller feeding sizes (gr – 00s of gr)
- Texture : solid & liquid



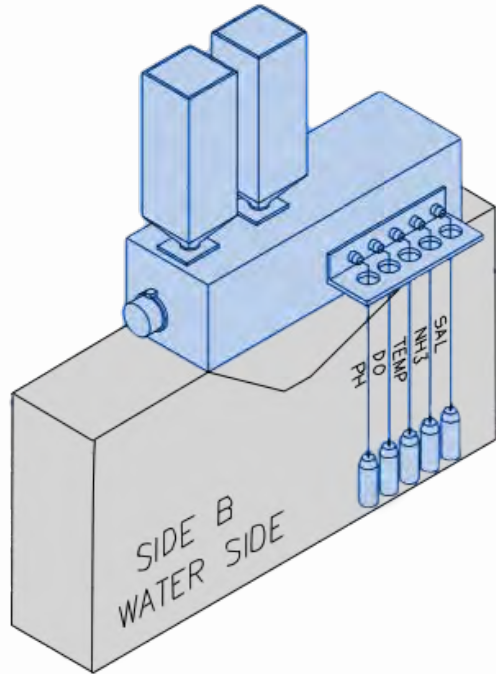
# Seable's Automatic Feeder



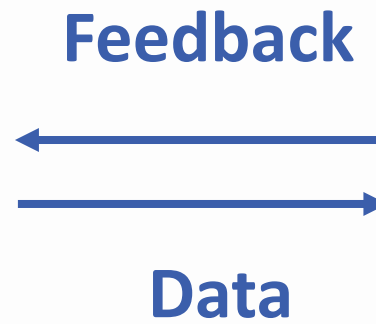
**Frequent Feeding**  
Anytime, any frequency



# Seable's Automatic Feeder



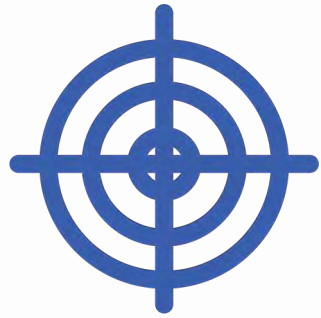
**Sensor enabled**  
Precise feeding



**Data Dashboard**  
Know better, decide better



# Enables



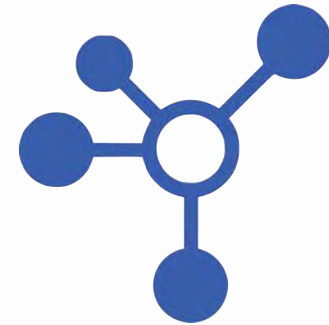
## Customized Feeding

Feed as needed



## Big Data

Draw statistically significant conclusions



## Traceability

Know what is involved



Feed the fries  
Seed the industry

**Anugerah Erlaut**

+62 811 219 5005

[aerlaut@seable.tech](mailto:aerlaut@seable.tech)